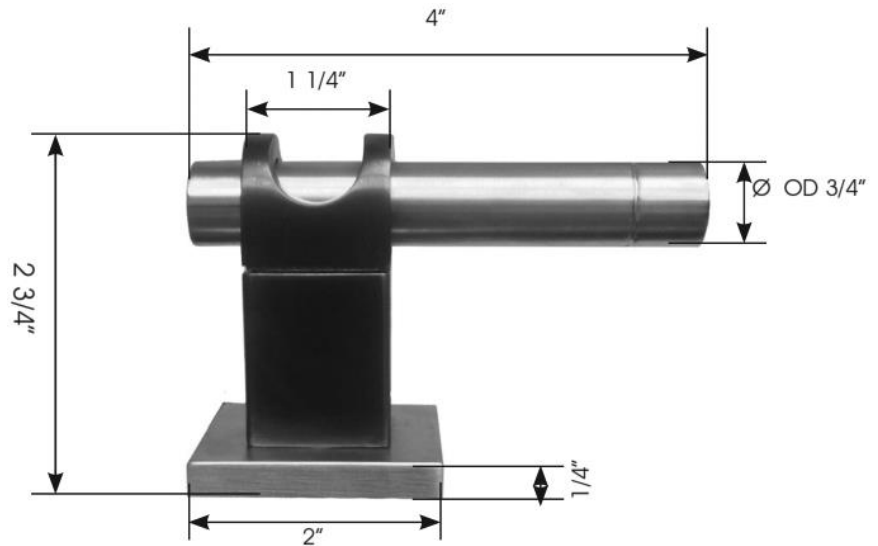
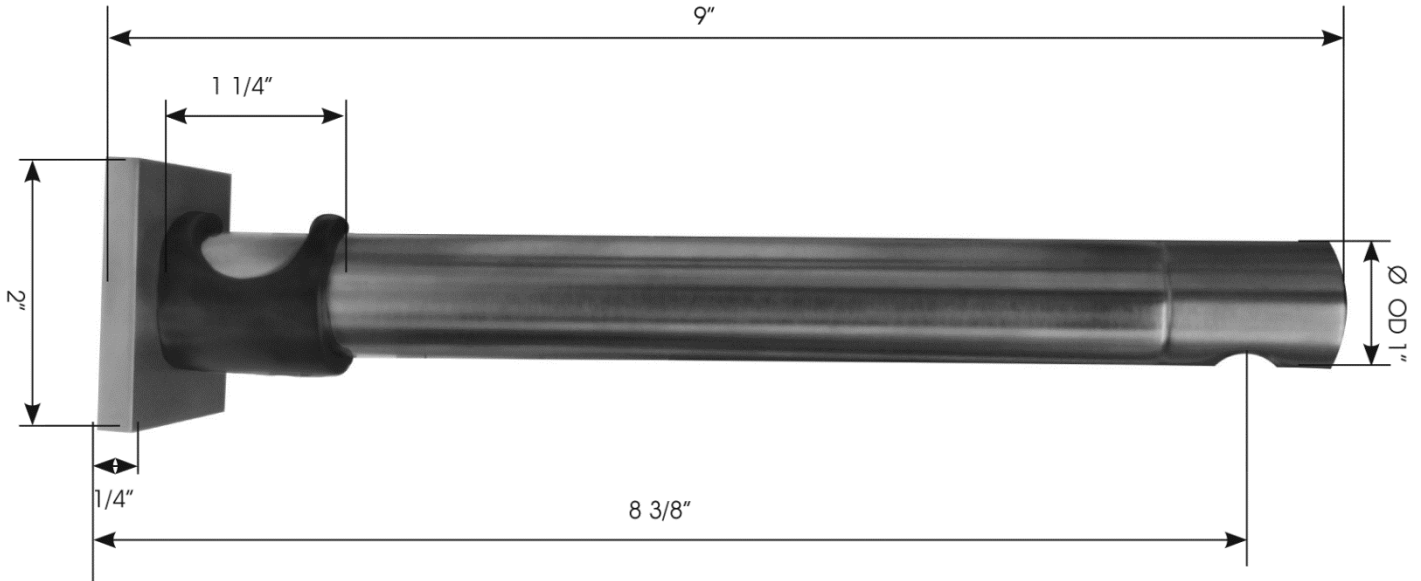




# PRODUCT SPECIFICATIONS

## Strap Wall Mounted Lav Faucet ST-LAV-WM

Apr 2019



- ADA Compliant
- Includes pair of hot & cold controls
- Includes Soft-Touch Drain w/o overflow
- Custom finishes available

Connection	1/2" NPT
Valve	1/2" Ceramic
GPM	1.5